

SECURITY BIN STAND

SULO security stands are manufactured from hot-dipped galvanised steel, ensuring quality and durability for the Australian market. SULO stands are corrosion resistant and ideal for any location, including coastal areas. Key features of a SULO stand include the solid steel locking plate, the lid restrictor and the spring loaded locking mechanism.

Fixing options

■ Base Plate

- Allows the stand to be fixed onto existing concrete or paved areas. This option is available to suit 120L, 140L and 240L bins.

■ Pole

- Allows the stand to be fixed into new concrete. This option suits all sized bins.

■ Wall Bracket

- Allows the stand to be fixed to an existing wall. This option suits all sized bins

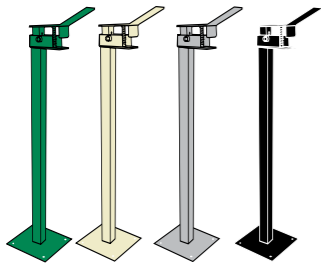
Colours

■ Galvanised Steel

- All stands are galvanised for maximum corrosion resistance, including all powder coated options

■ Powder Coated

- A variety of colours are available* including Heritage Green, Classic Cream, Woodland Grey and Black Satin



*Powder coated stands are made to order and minimum quantities may apply.

SULO®

SULO MGB Australia Pty Ltd
123 Wisemans Ferry Road
Somersby NSW 2250
Australia
Tel: +61 (0) 2 - 4348 8188
Fax: +61 (0) 2 - 4348 8128
Internet: www.sulo.com.au
E-mail: info@sulo.com.au

SULO – Queensland Office
11 Argon Street
Sumner Park QLD 4074
Australia
Tel: +61 (0) 7 - 3725 5000
Fax: +61 (0) 7 - 3725 5099

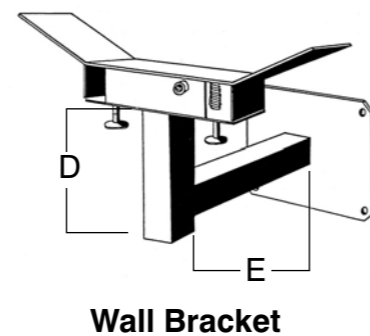
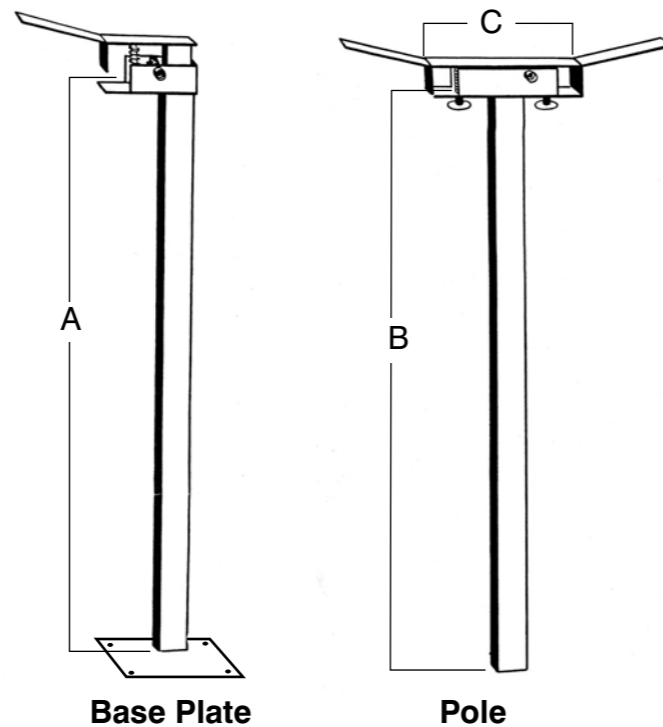
SULO – Victorian Office
1950 Hume Hwy
Campbellfield VIC 3061
Australia
Tel: +61 (0) 3 - 9357 7320
Fax: +61 (0) 3 - 9357 7340

SULO - New Zealand
PO Box 58 962
Greenmount, Manukau City 2141
New Zealand
Tel: +64 9 968 2180
Fax: +64 9 968 2188

Dimensions

- All stands are available as a single stand or a dual stand.

- A 120L - 890mm 140L - 1020mm 240L - 1020mm
- B 1330mm
- C 250mm
- D 200mm
- E 300mm



2-WHEELED ACCESSORIES

SULO®

SECURITY BIN STAND: FOR PUBLIC PLACE COLLECTION



Improved design features

- Galvanised steel ensures corrosion resistance
- Spring loaded locking mechanism
- Designed for maximum security
- Powder coated options to suit any location



Lid Restrictor

- Prevents disposal of bulky household waste
- Lid remains closed when not in use
- Prevents birds and vermin from accessing the waste
- Conceals waste from all weather conditions



Multiple Applications

- Suit single or or dual bin placement
- Extended pole option is ideal for concreting into any location
- Base plate option is easily mounted to existing concrete or paved areas
- Wall mounted options available

