

## BIO-BOY: FOR MANY PRACTICAL USES



EASY HANDLING  
ALL-PURPOSE  
IDEAL SIZE – SPACE SAVING

### Lid

- Hinged lid with large opening
- Grip rail for easy handling
- Rounded lid edge for good seal
- Contains odours



### Handle

- Practical steel wire handle
- For convenient use
- Simple, effortless emptying



### Benefits

- Ideal for kitchen organic waste
- Compact space saving
- Four indentations to hold suitable hygienic paper or bio-degradable bags
- Many other applications



# BIO-BOY

## Material

- **Polymer components:**
  - Injection moulded from specially designed HDPE
  - Resistant to decay, frost, heat and chemicals
  - Special UV-stabilisation provides excellent ageing characteristics
- **Corrosion resistant steel components:**
  - Galvanised steel wire handle
- **Long service life:**
  - High quality materials
  - Most advanced manufacturing processes
  - Withstands exposure to high mechanical stress levels
- **Recycling:**
  - All container parts are recyclable

## Advantages

- **Easy handling:**
  - Practical handle for easy movement
  - Hinged lid for effortless opening
  - Grip rail to assist emptying
- Lightweight, easy to carry
- Space saving, ideal for cupboards or under benchtops
- Four indentations to hold suitable bags
- Waterproof, easy to clean
- Encourages further source separation

## Imprints and markings

- Manufacturer, year of manufacture, material
- Individual markings with imprints or adhesive labels are available on request\*

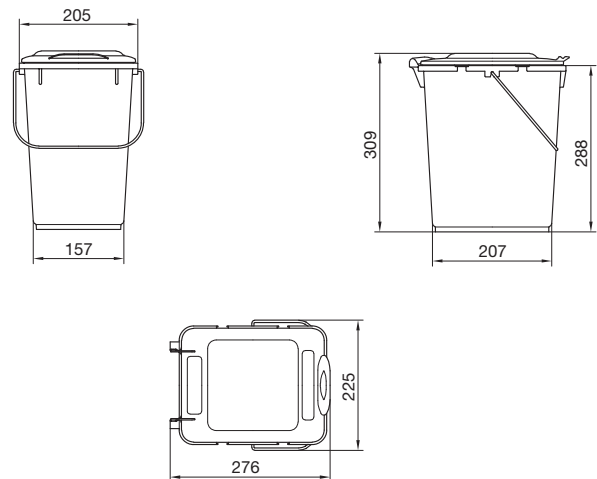
## Quality

- Constant quality control through manufacturers laboratory

## Dimensions - Weights - Standards

- Nominal volume: 10 litres
- Net weight: 0.6 kg
- Permitted total weight: 5 kg

Measurements to be used as a guide only - variations will occur



## Colours

- Standard colours: green and yellow
- Special colours are available on request\*
- All additives are cadmium free and environmentally friendly



Note: Certification and Quality Marks depicted in this brochure are registered to SULO Umwelttechnik GmbH & Co. KG

# SULO®

SULO MGB Australia Pty Ltd  
123 Wisemans Ferry Road  
Somersby NSW 2250

### Australia

Tel: +61 (0) 2 - 4348 8188  
Fax: +61 (0) 2 - 4348 8128  
Internet: [www.sulo.com.au](http://www.sulo.com.au)  
E-mail: [info@sulo.com.au](mailto:info@sulo.com.au)

SULO – Queensland Office  
11 Argon Street  
Sumner Park QLD 4074

### Australia

Tel: +61 (0) 7 - 3725 5000  
Fax: +61 (0) 7 - 3725 5099

SULO – Victorian Office  
1950 Hume Hwy  
Campbellfield VIC 3061

### Australia

Tel: +61 (0) 3 - 9357 7320  
Fax: +61 (0) 3 - 9357 7340

SULO - New Zealand  
PO Box 58 962  
Greenmount, Manukau City 2141

### New Zealand

Tel: +64 9 273 6870  
Fax: +64 9 273 8483